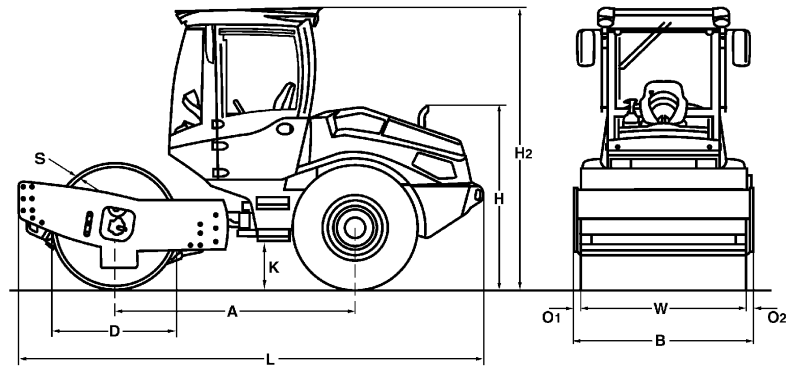


TECHNICAL DATA

SINGLE DRUM ROLLERS

BW 145 D-5, BW 145 DH-5, BW 145 PDH-5





Dimensions in in

	A	B	D	H	H2	K	L	O1	O1	S	W
BW 145 D-5	88.6	61.3	41.7	61.8	107.1	12.6	171.8	2.6	2.6	0.8	56.1
BW 145 DH-5	88.6	61.3	41.7	61.8	107.1	12.6	171.8	2.6	2.6	0.8	56.1
BW 145 PDH-5	88.6	61.3	41.1	61.8	107.1	12.6	171.8	2.6	2.6	0.6	56.1

Shipping dimensions in cub.yd

BW 145 D-5
BW 145 DH-5
BW 145 PDH-5

without ROPS

13.956
13.956
13.956

with ROPS

24.185
24.185
24.185

Machine type	Compaction output (cub.yd/h)			
	Rock fill	Gravel, sand	Mixed soil	Silt, clay
BW 145 D-5	-	209.3-418.5	157.0-313.9	78.5-157.0
BW 145 DH-5	-	209.3-418.5	157.0-313.9	78.5-157.0
BW 145 PDH-5	-	209.3-418.5	157.0-313.9	104.6-209.3

Machine type	Compacted layer thickness (in)			
	Rock fill	Gravel, sand	Mixed soil	Silt, clay
BW 145 D-5	0.0--	15.7	11.8	5.9
BW 145 DH-5	0.0--	15.7	11.8	5.9
BW 145 PDH-5	0.0--	15.7	11.8	7.9

Technical Data**BOMAG
BW 145 D-5****BOMAG
BW 145 DH-5****BOMAG
BW 145 PDH-5****Weights**

Grossweight	lb	12,346	13,228	12,346
Operating weight CECE w. ROPS-cabin	lb	10,472	10,626	11,177
Axle load, drum CECE	lb	5,490	5,556	6,107
Axle load, wheels CECE	lb	4,982	5,071	5,071
Static linear load CECE	lb/in	97.8	99.0	

Dimensions

Working width	in	56.1	56.1	56.1
Track radius, inner	in	113.8	113.8	113.8

Driving Characteristics

Speed (1)	mph	0- 2.5	0- 6.2	0- 6.2
Speed (2)	mph	0- 2.8		
Speed (3)	mph	0- 4.0		
Speed (4)	mph	0- 5.6		
Max. gradeability without/with vibr.	%	51/48	64/59	64/59

Drive

Engine manufacturer		Kubota	Kubota	Kubota
Type		V3307 CR-T	V3307 CR-T	V3307 CR-T
Emission stage		Stage IV / TIER4f	Stage IV / TIER4f	Stage IV / TIER4f
Cooling		water	water	water
Number of cylinders		4	4	4
Performance ISO 3046	hp	74.3	74.3	74.3
Performance SAE J 1995	hp	75.0	75.0	75.0
Speed	min-1	2,400	2,400	2,400
Fuel		diesel	diesel	diesel
Electric equipment	V	12	12	12
Drive system		hydrost. standard	hydrost. standard	hydrost. standard
Drum driven				

Drums and Tyres

Tyre size		12.5-20 12PR	12.5-20 12PR	12.4-24/8PR
-----------------	--	--------------	--------------	-------------

Brakes

Service brake		hydrost.	hydrost.	hydrost.
Parking brake		hydromec.	hydromec.	hydromec.

Steering

Steering system		oscil.artic.	oscil.artic.	oscil.artic.
Steering method		hydrost.	hydrost.	hydrost.
Steering / oscillating angle +/-	deg	35/12.0	35/12.0	35/12.0

Exciter system

Drive system		hydrost.	hydrost.	hydrost.
Frequency	vpm	1,860/2,100	1,860/2,100	1,860/2,100
Amplitude	in	0.067/0.032	0.067/0.032	0.057/0.028
Centrifugal force	lb	17,985/12,589	17,985/12,589	17,985/12,589

Capacities

Fuel	gal	29.1	29.1	29.1
------------	-----	------	------	------

Technical modifications reserved. Machines may be shown with options.

Standard Equipment

- BOMAG ECOMODE
- Double pump system for travel drive (DH/PDH)
- Warning, information and operation displays
- Hydrostatic travel and vibration drive
- Hydrostatic articulated steering
- Articulated joint lock
- Rear axle with twin spring accumulator brakes
- No-Spin differential lock
- Warning horn
- Single lever control for travel and vibration
- 1 Scrapers (D/DH)
- 2 Scrapers (PDH)
- Emergency STOP
- Noise insulation
- Back-up warning system
- Tractor tires (PDH)

Optional Equipment

- * ROPS cabin with seat belts
- * Working lights front/rear
- Air condition
- Adjustable steering column
- Sliding window
- Radio (Bluetooth)
- ROPS/FOPS with safety belt
- BOMAG ECOSTOP
- TERRAMETER
- Printer for TERRAMETER
- Rotary beacon
- BCM 05 Documentation system
- Special painting
- Backup warning buzzer with broadband technology
- BOMAG TELEMATIC
- Tractor tires (D/DH)
- Rearview camera
- Environmentally compliant hydraulic oil
- Indicator and hazard lights
- Padfoot segment kit (D/DH)
- 2 Contact scrapers (D/DH)
- Dozer blade (DH/PDH)

* Standard delivery with CE conformity
(valid within European Union)

