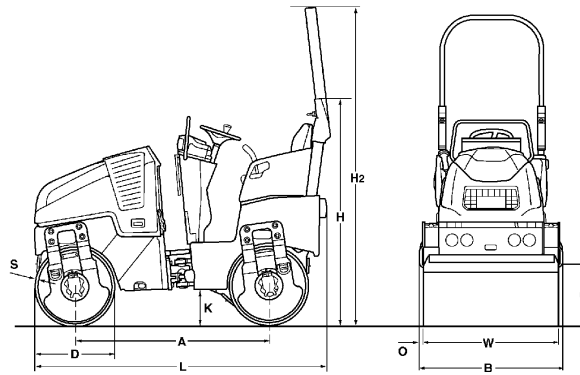


# TECHNICAL DATA

TANDEM ROLLERS

BW 90 AD-5, BW 100 ADM-5





**Dimensions in in**

	<b>A</b>	<b>B</b>	<b>C</b>	<b>D</b>	<b>H</b>	<b>H2</b>	<b>K</b>	<b>L</b>	<b>O</b>	<b>S</b>	<b>W</b>
<b>BW 90 AD-5</b>	58.4	37.5	17.0	22.8	64.1	90.7	10.0	86.4	1.1	0.5	35.4
<b>BW 100 ADM-5</b>	58.4	41.5	17.0	22.8	64.1	90.7	10.0	86.4	1.1	0.5	39.4

**Shipping dimensions in cub.yd**

**BW 90 AD-5**  
**BW 100 ADM-5**

**without ROPS**

4.463  
 4.937

**with ROPS**

6.314  
 6.986

<b>Machine type</b>	<b>Compaction output (cub.yd/h) at recommended soil layer thicknesses</b>		
	<b>Gravel, sand</b>	<b>Mixed soil</b>	<b>Silt, clay</b>
BW 90 AD-5	91.6-157.0	58.9-117.7	45.8-91.6
BW 100 ADM-5	98.1-183.1	65.4-130.8	47.1-91.6

<b>Machine type</b>	<b>Compaction output (t/h) at different asphalt layer thicknesses</b>		
	<b>0.8-1.6 in</b>	<b>2.4-3.1 in</b>	<b>3.9-5.5 in</b>
BW 90 AD-5	15-30	30-50	40-80
BW 100 ADM-5	15-40	35-60	50-90

**Technical Data****BOMAG  
BW 90 AD-5****BOMAG  
BW 100 ADM-5****Weights**

Operating weight CECE .....	lb	3,527	3,638
Average static linear load CECE .....	lb/in	49.8	46.2
Grossweight .....	lb	4,409	4,409

**Dimensions**

Working width .....	in	35.4	39.4
Track radius, inner .....	in	79.9	78.0

**Driving Characteristics**

Speed .....	mph	0- 6.2	0- 6.2
Working speed with vibration .....	mph	0- 6.2	0- 6.2
Max. gradeability without/with vibr. ....	%	40/30	

**Drive**

Engine manufacturer .....		Kubota	Kubota
Type .....		D 902	D 902
Emission stage .....		4 final	4 final
Cooling .....		water	water
Number of cylinders .....		3	3
Performance ISO 14396 .....	kW	15.1	15.1
Performance SAE J 1995 .....	hp	20.2	20.2
Speed .....	min-1	3,000	3,000
Speed adjustment 1 .....	min-1	2,100	2,100
Speed adjustment 2 .....	min-1	3,000	3,000
Electric equipment .....	V	12	12
Driven drum .....		front + rear	front + rear

**Brakes**

Service brake .....		hydrost.	hydrost.
Parking brake .....		hydromec.	hydromec.

**Steering**

Steering system .....		oscil.artic.	oscil.artic.
Steering method .....		hydrost.	hydrost.
Steering / oscillating angle +/- .....	deg	33/8.0	33/8.0
Crab walk .....	in	0- 2.0	0- 2.0

**Exciter system**

Vibrating drum .....		front + rear	front + rear
Drive system .....		hydrost.	hydrost.
Frequency .....	vpm	2,520/3,780	2,520/3,780
Amplitude .....	in	0.020	0.016
Centrifugal force .....	lb	1,799/3,822	1,799/3,822

**Sprinkler System**

Type of sprinkling .....		pressure	pressure
--------------------------	--	----------	----------

**Capacities**

Fuel .....	gal	7.9	7.9
Water .....	gal	26.4	26.4

Technical modifications reserved. Machines may be shown with options.

### Standard Equipment

- Hydrostatic travel and vibration drive
- Pressure sprinkler system with interval switch
- Travel drive in series
- 2 scrapers per drum, spring loaded and tiltable
- Multi function travel lever
- Multi-function display incl. operating hour meter
- Water level
- Emergency STOP
- Individual control, vibration
- Intelligent Vibration Control (IVC)
- Integrated stowage compartment
- Adjustable operator's seat
- Lashing eyes, galvanized
- Back-up alarm
- Single point lifting device
- Vandalism protection
- Lockable engine hood made of composite material
- Working lights front and rear
- 12V socket
- Seat contact switch

### Optional Equipment

- \* ROPS with safety belt
- Foldable ROPS incl. seat belt
- Edge cutter
- Double travel lever
- Battery disconnect switch
- Indicator and hazard lights
- Rotary beacon
- Optional lighting on ROPS
- Special painting
- Seat heating
- Backup warning buzzer with broadband technology
- Environmentally compliant hydraulic oil
- Theft protection
- Port for hydraulik breaker
- BOMAG TELEMATIC
- ECONOMIZER
- Asphalt temperature display

\* Standard delivery with CE conformity  
(valid within European Union)

