

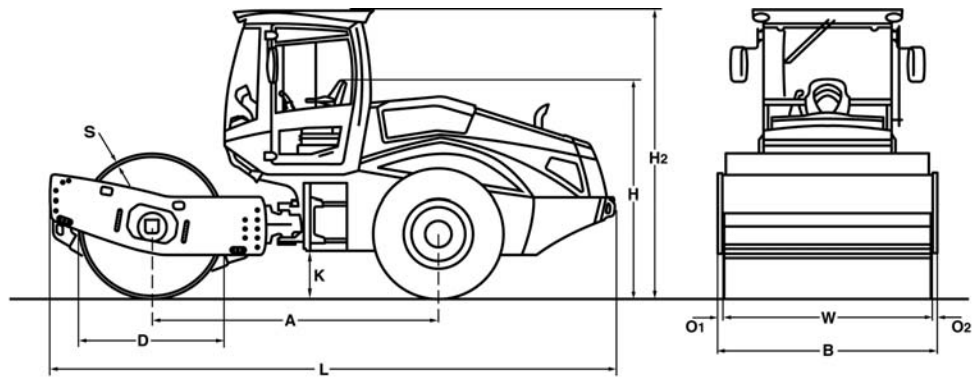


TECHNICAL DATA

SINGLE DRUM ROLLERS

BW 211 DH-5, BW 211 PDH-5





Dimensions in in

	A	B	D	H	H2	K	L	O1	O2	S	W
BW 211 DH-5	117.1	89.4	59.1	89.0	117.7	19.3	231.1	2.8	2.8	1.0	83.9
BW 211 PDH-5	117.1	89.4	58.3	89.0	117.7	19.3	231.1	2.8	2.8	1.0	83.9

Shipping dimensions in cub.yd

BW 211 DH-5
BW 211 PDH-5

without ROPS

39,405
39,405

with ROPS

52,112
52,112

Machine type	Compaction output (cub.yd/h)			
	Rock fill	Gravel, sand	Mixed soil	Silt, clay
BW 211 DH-5	588.6-1,242.5	431.6-810.9	340.1-640.9	170.0-340.1
BW 211 PDH-5	588.6-1,190.2	431.6-810.9	340.1-640.9	209.3-418.5

Machine type	Compacted layer thickness (in)			
	Rock fill	Gravel, sand	Mixed soil	Silt, clay
BW 211 DH-5	27.6	19.7	15.7	7.9
BW 211 PDH-5	27.6	19.7	15.7	11.8

Technical Data

BOMAG BW 211 DH-5

BOMAG BW 211 PDH-5

Weights

Grossweight	lb	30,314	30,534
Operating weight CECE w. ROPS-cabin	lb	24,008	27,690
Axle load, drum CECE	lb	12,963	16,358
Axle load, wheels CECE	lb	11,045	11,332
Static linear load CECE	lb/in	154.6	

Dimensions

Working width	in	83.9	83.9
Track radius, inner	in	144.9	144.9

Driving Characteristics

Speed	mph	0- 7.5	0- 7.5
Max. gradeability without/with vibr.	%	60/58	62/60

Drive

Engine manufacturer		Deutz	Deutz
Type		TCD 3.6 L4	TCD 3.6 L4
Emission stage		4/4	4/4
Cooling		Liquid	Liquid
Number of cylinders		4	4
Performance ISO 3046	hp	127.4	127.4
Performance SAE J 1995	hp	128.0	128.0
Speed	min-1	2,000	2,000
Fuel		diesel	diesel
Electric equipment	V	12	12
Drive system		hydrost.	hydrost.
Drum driven		standard	standard

Drums and Tyres

Number of pad feet			150
Area of one pad foot	sq.in		21.2
Height of pad feet	in		3.9
Tyre size		23.1-26 12PR	23.1-26 12PR

Brakes

Service brake		hydrost.	hydrost.
Parking brake		hydromec.	hydromec.

Steering

Steering system		oscil.artic.	oscil.artic.
Steering method		hydrost.	hydrost.
Steering / oscillating angle +/-	deg	35/12.0	35/12.0

Exciter system

Drive system		hydrost.	hydrost.
Frequency	vpm	1,800/2,040	1,800/2,040
Amplitude	in	0.075/0.039	0.067/0.035
Centrifugal force	lb	53,954/36,419	64,071/43,613
Centrifugal force	t	24.5/16.5	29.1/19.8

Capacities

Fuel	gal	66.0	66.0
------------	-----	------	------

Technical modifications reserved. Machines may be shown with options.

Standard Equipment

- BOMAG ECOMODE
- Warning, information and operation displays with LCD
- Noise insulation
- Hydrostatic travel and vibration drive
- Hydrostatic articulated steering
- Articulated joint lock
- Rear axle with twin spring accumulator brakes
- No-Spin differential lock
- Warning horn
- Single lever control for travel and vibration
- Seat with arm rest and adj. for position and height
- 2 Scrapers
- Emergency STOP
- Back-up alarm
- Working lights front / rear
- Double pump system for travel drive
- Tractor tires (PDH)
- Loading mode
- Sliding window
- Battery disconnect switch

Optional Equipment

- * ROPS/FOPS cabin with seat belts
 - Sliding window
- ROPS/FOPS with safety belt
- Air condition
- Rearview camera
- TERRAMETER
- BOMAG ECOSTOP
- BOMAG TELEMATIC POWER
- Padfoot segment kit (DH)
- Radio (Bluetooth)
- Indicator and hazard lights
- BCM 05 Documentation system
- Special painting
- Rotary beacon
- Pre start cabin heating
- Environmentally compliant hydraulic oil
- Comfort package: Adjustable seat and adjustable steering column

* Standard delivery with CE conformity
(valid within European Union)

