



330G / 332G SPECIFICATIONS

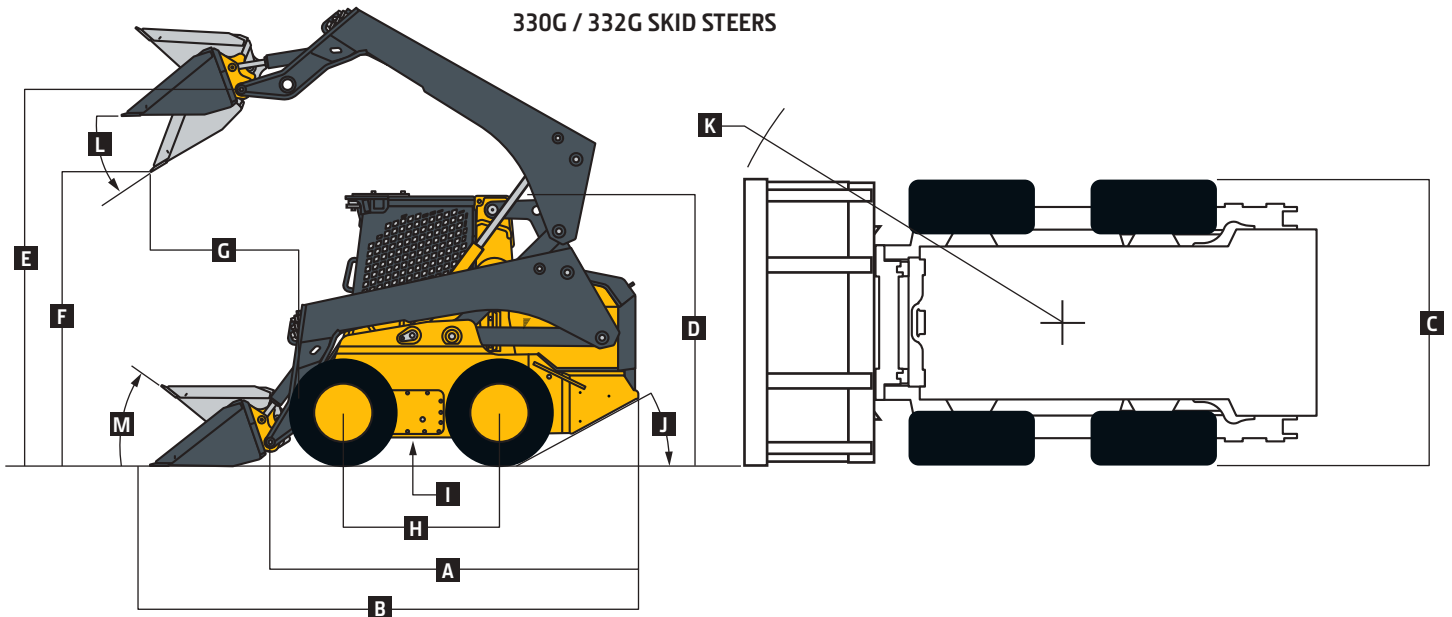
Engine	330G		332G	
Manufacturer and Model	Yanmar 4TNV94FHT	Yanmar 4TNV94CHT	Yanmar 4TNV94FHT	Yanmar 4TNV94CHT
Non-Road Emission Standard	EPA Final Tier 4/ EU Stage IV	EPA Interim Tier 4 / EU Stage IIIB	EPA Final Tier 4/EU Stage IV	EPA Interim Tier 4/ EU Stage IIIB
Cylinders	4	4	4	4
Net Peak Power (SAE J1349 / ISO 9249)	66.0 kW (88.5 hp) at 2,500 rpm		72.0 kW (96.6 hp) at 2,500 rpm	
Gross Rated Power (ISO 14396)	68.0 kW (91.2 hp) at 2,500 rpm		74.6 kW (100 hp) at 2,500 rpm	
Peak Torque	382 Nm (281.8 ft.-lb.) at 1,700 rpm		395 Nm (291.3 ft.-lb.) at 1,700 rpm	
Displacement	3.1 L (186.3 cu. in.)		3.1 L (186.3 cu. in.)	
Rated Engine Speed	2,500 rpm		2,500 rpm	
Torque Rise	47% at 1,700 rpm		39% at 1,700 rpm	
Aspiration	Turbocharged, intercooled		Turbocharged, intercooled	
Air Cleaner	Dry dual element	Dry dual element	Dry dual element	Dry dual element
Cooling	330G / 332G			
Fan Type	Variable-speed hydraulic drive standard / reversing fan drive optional			
Powertrain	330G		332G	
Type	Electrohydraulic (EH); 4 – 100 heavy-duty (HD) continuous-loop chain			
Travel Speeds				
Low	11.3 km/h (7 mph)		11.3 km/h (7 mph)	
High	19.3 km/h (12 mph)		19.3 km/h (12 mph)	
System High-Pressure Relief	34 474 kPa (5,000 psi)		34 474 kPa (5,000 psi)	
Axles	Induction-hardened, one-piece forged axle shafts with maintenance-free oil-bath lubrication of inner and outer axle bearings			
Maximum Axle Torque	8480 Nm (6,235 lb.-ft.)		9289 Nm (6,830 lb.-ft.)	
Tractive Effort	3905 kgf (8,610 lbf)		4218 kgf (9,300 lbf)	
Final Drive	High-strength, adjustment-free chains		High-strength, adjustment-free chains	
Brakes	Integral, automatic, spring-applied, hydraulically released, wet-disc park brake			
Hydraulics				
Pump Flow				
Standard	80 L/m (23.5 gpm)		95 L/m (25.0 gpm)	
Total with High-Flow Option	138 L/m (36.5 gpm)		156 L/m (41.1 gpm)	
System Pressure at Couplers	23 787 kPa (3,450 psi)		23 787 kPa (3,450 psi)	
Hydraulic Horsepower Flow (calculated)				
Standard	35 kW (47 hp)		38 kW (50 hp)	
High Flow	55 kW (74 hp)		62 kW (83 hp)	
Cylinders	330G / 332G			
Type	John Deere heat-treated, chrome-plated polished cylinder rods, hardened steel (replaceable bushings) pivot pins			
Electrical				
Voltage	12 volt			
Battery Capacity	925 CCA			
Alternator Rating	90 amp			
Lights	Halogen: 2 front and 1 rear standard / deluxe LED (4 front and 1 rear) optional			
Operator's Station	ROPS (ISO 3471) / FOPS (ISO 3449) structure with quick pivot standard			
Tires/Wheels	330G		332G	
Standard Tire Size	14 x 17.5 12 PR Extra Wall		14 x 17.5 14 PR Hauler	
Serviceability	330G / 332G			
Refill Capacity				
Fuel Tank	96.5 L (25.5 gal.)			
Operating Weight	330G		332G	
Base Machine	<i>Final Tier 4/Stage IV</i> 4495 kg (9,900 lb.)	<i>Interim Tier 4/Stage IIIB</i> 4449 kg (9,800 lb.)	<i>Final Tier 4/Stage IV</i> 4540 kg (10,000 lb.)	<i>Interim Tier 4/Stage IIIB</i> 4495 kg (9,900 lb.)

330G / 332G SPECIFICATIONS



Machine Dimensions	330G	332G
A Length without Bucket	3.10 m (122.0 in.) (10 ft. 2 in.)	3.10 m (122.0 in.) (10 ft. 2 in.)
B Length		
With Foundry Bucket	3.71 m (146.0 in.) (12 ft. 2 in.)	3.71 m (146.0 in.) (12 ft. 2 in.)
With Heavy-Duty Construction Bucket	3.96 m (155.9 in.) (13 ft. 0 in.)	3.96 m (155.9 in.) (13 ft. 0 in.)
C Width without Bucket	1.98 m (78.0 in.) (6 ft. 6 in.)	1.99 m (78.4 in.) (6 ft. 6 in.)
D Height to Top of ROPS	2.19 m (86.3 in.) (7 ft. 2 in.)	2.19 m (86.3 in.) (7 ft. 2 in.)
E Height to Hinge Pin	3.35 m (132.0 in.) (11 ft. 0 in.)	3.35 m (132.0 in.) (11 ft. 0 in.)
F Dump Height		
With Foundry Bucket	2.69 m (106.1 in.) (8 ft. 10 in.)	2.68 m (105.6 in.) (8 ft. 10 in.)
With Heavy-Duty Construction Bucket	2.50 m (98.6 in.) (8 ft. 3 in.)	2.50 m (98.6 in.) (8 ft. 3 in.)
G Dump Reach		
With Foundry Bucket	0.71 m (28.0 in.)	0.71 m (28.0 in.)
With Construction Bucket (no edge)	0.88 m (34.6 in.)	0.88 m (34.6 in.)
H Wheelbase	1.27 m (49.9 in.) (4 ft. 2 in.)	1.27 m (49.9 in.) (4 ft. 2 in.)
I Ground Clearance	0.25 m (9.7 in.)	0.25 m (9.7 in.)
J Angle of Departure	29 deg.	29 deg.
K Front Turn Radius with Foundry Bucket	2.18 m (85.7 in.) (7 ft. 2 in.)	2.18 m (85.7 in.) (7 ft. 2 in.)
L Dump Angle (full lift height)	48 deg.	48 deg.
M Bucket Rollback (ground level)	35 deg.	35 deg.

330G / 332G SKID STEERS



Loader Performance	330G		332G	
	<i>Final Tier 4/Stage IV</i>	<i>Interim Tier 4/Stage IIIB</i>	<i>Final Tier 4/Stage IV</i>	<i>Interim Tier 4/Stage IIIB</i>
Tipping Load	2724 kg (6,000 lb.)	2724 kg (6,000 lb.)	3269 kg (7,200 lb.)	3269 kg (7,200 lb.)
SAE Rated Operating Capacity	1362 kg (3,000 lb.)	1362 kg (3,000 lb.)	1634 kg (3,600 lb.)	1634 kg (3,600 lb.)
With Optional Set of Counterweights	1430 kg (3,150 lb.)	1430 kg (3,150 lb.)	1703 kg (3,750 lb.)	1703 kg (3,750 lb.)
Breakout Force				
With Heavy-Duty Construction Bucket				
Boom	2724 kg (6,000 lb.)	2724 kg (6,000 lb.)	3519 kg (7,750 lb.)	3519 kg (7,750 lb.)
Bucket	3450 kg (7,600 lb.)	3450 kg (7,600 lb.)	4200 kg (9,250 lb.)	4200 kg (9,250 lb.)
With Foundry Bucket				
Boom	3175 kg (7,000 lb.)	2724 kg (6,000 lb.)	3865 kg (8,520 lb.)	3746 kg (8,250 lb.)
Bucket	4241 kg (9,350 lb.)	4676 kg (10,300 lb.)	6307 kg (13,904 lb.)	6243 kg (13,750 lb.)

Additional equipment

Key: ● Standard ▲ Optional or special See your John Deere dealer for further information.

330G	332G	Engine
●	●	Meets EPA Final Tier 4/EU Stage IV emissions
▲	▲	Meets EPA Interim Tier 4/EU Stage IIIB emissions
●	●	Yanmar 4TNV94FHT
▲	▲	Yanmar 4TNV94CHT
●	●	Auto-idle
●	●	Automatic fan tensioner
●	●	Automatic preheat
●	●	Electronic injection system
▲	▲	Engine air precleaner kit
●	●	Fuel tank, 96.5 L (25.5 gal.)
●	●	John Deere COOL-GARD™ II Extended-Life Engine Coolant
●	●	John Deere Plus-50™ 10w30 initial engine oil fill*
●	●	4-cylinder 68.0-kW (91.2 hp) 3.1-L (186.3 cu. in.) displacement
	●	4-cylinder 74.6-kW (100 hp) 3.1-L (186.3 cu. in.) displacement
●	●	5-micron primary fuel filter and water separator
▲	▲	Cold-weather starting package
Cooling System		
●	●	Coolant surge tank
●	●	Variable-speed hydraulically driven fan cooling system
▲	▲	Reversing fan drive
Powertrain		
●	●	High-strength adjustment-free final-drive chains
●	●	Automatic spring-applied hydraulically released wet-disc park brake
●	●	Wet-disc brakes
●	●	Transmission, 2 speed

330G	332G	Hydraulic System
●	●	John Deere hydraulic cylinders with cushioned boom cylinders
●	●	John Deere heat-treated, chrome-plated cylinder rods with replaceable bushings
●	●	Connect-under-pressure auxiliary couplers
●	●	Quick-check hydraulic fluid-level sight glass
●	●	1,000-hour, 5-micron hydraulic filter
▲	▲	High-flow hydraulics
●	●	Axial-piston hydrostatic pump
Electrical		
●	●	Automatic engine/hydraulic shutdown protection system
●	●	Auxiliary hydraulics operator-presence system
●	●	Courtesy lighting
●	●	Deluxe instrumentation EMU with: Operator-selectable monitoring – Hour meter, engine rpm, battery voltage, diagnostics, EMU configuration, engine coolant temperature, hydraulic oil temperature / LED warning indicators – Glow plug, seat switch, seat belt, door open, auxiliary hydraulics, park brake engaged, 2-speed engaged, stop, low engine oil pressure, engine coolant over-temperature, battery not charging, air filter restriction, and hydraulic filter restriction
▲	▲	Deluxe LED lighting package with additional cab-integrated side lights (2)
●	●	Front and rear halogen work lights
●	●	Triple-interlock operator-presence control system
●	●	Backup alarm
●	●	Battery, 925 CCA
▲	▲	Hazard warning lights
▲	▲	Strobe light, amber
●	●	Horn

*500-hour engine oil-change intervals when John Deere Plus-50 oil and John Deere oil filter are used.

Net engine power is with standard equipment including air cleaner, exhaust system, alternator, and cooling fan, at standard conditions per SAE J1349 and DIN 6270B, using No. 2-D fuel at 35 API gravity. Gross power is without cooling fan. Specifications and design subject to change without notice. Wherever applicable, specifications are in accordance with SAE standards. Except where otherwise noted, these specifications are based on units with standard equipment, full fuel tanks, and 79-kg (175-lb.) operator.

Additional equipment *(continued)*

Key: ● Standard ▲ Optional or special See your John Deere dealer for further information.

330G	332G	Operator's Station
●	●	Deluxe cab headliner
●	●	Electrohydraulic (EH) ISO-pattern joystick controls
▲	▲	ISO-H switchable joystick controls and EH joystick performance package*
▲	▲	EH 3-way switchable ISO-H-foot and hand controls, or ISO foot controls, and EH joystick performance package*
▲	▲	ISO controls with programmable detents with EH joystick performance package* and EH boom performance package†
▲	▲	Onboard grade indication: Grade-control option delivers onboard readout within LCD monitor that provides slope of blade (cross-slope direction) and mainfall (fore/aft direction) within ±0.5-percent accuracy
▲	▲	Keyless-start sealed-switch module with integrated anti-theft system and operator memory preference settings
●	●	Electronic push-button auxiliary controls
●	●	Pull-down adjustable lap bar
●	●	Quick-pivot ROPS
●	●	Rear window
●	●	Removable top window
▲	▲	Sliding/locking/removable glass side windows
●	●	ROPS/FOPS operator structure
▲	▲	Glass cab enclosure
●	●	Seat belt, 51 mm (2 in.), retractable
▲	▲	Shoulder belt, 51 mm (2 in.) or 76 mm (3 in.)
▲	▲	Severe-duty cab door and wiper system
●	●	Water-shedding deluxe vinyl suspension seat
▲	▲	Deluxe vinyl suspension seat
▲	▲	Air-ride cloth, heated seat
▲	▲	Air-ride vinyl seat

*EH joystick performance package features switchable accelerator/decelerator, selectable propel speeds, creeper mode, boom- and bucket-speed settings, and 12-volt 3- and 14-pin attachment-control harness with dash-mounted 4th-function rocker switch.

†EH boom performance package features include EH bucket self-level up and down, return to dig, return to carry, and boom-height kick-out.

330G	332G	Operator's Station <i>(continued)</i>
●	●	12-volt power port / Dome light / Cargo storage / Beverage holder
▲	▲	Air conditioning with heater/defroster
▲	▲	AM/FM/Weather-Band (WB) radio with auxiliary input and Bluetooth® for audio streaming
▲	▲	Floor mat with left footrest
●	●	Rearview mirror
▲	▲	Rearview camera
Loader		
●	●	In-cab boom lockout to secure loader before exiting seat
●	●	Patented John Deere Quik-Tatch™ (no grease required)
▲	▲	Power Quik-Tatch
●	●	Patented John Deere vertical-lift boom
▲	▲	Hydraulic self-leveling on/off and ride control
Other		
●	●	Convenient front and rear tie-downs
●	●	Environmental drains for all fluid reservoirs
▲		12 x 16.5 8 PR SKS Extra Wall Heavy Duty
▲		12 x 16.5 10 PR Extra Wall
●	▲	14 x 17.5 12 PR Extra Wall
▲	●	14 x 17.5 14 PR Hauler
▲	▲	Battery disconnect
▲	▲	Chrome exhaust stack
▲	▲	Engine oil/hydraulic fluid-sampling kit
▲	▲	Forestry protection packages
▲	▲	Heavy-duty rear grille
▲	▲	Rear counterweights (available in sets of 1, 2, or 3), 78 kg (172 lb.) (each set)
▲	▲	Single-point lift kit
▲	▲	SMV sign kit
▲	▲	Spare tire and wheel
▲	▲	Tire options: SKS Extra-Wall, Galaxy Beefy Baby III, Galaxy Hulk, and Brawler Solid-Flex
▲	▲	JDLINK™ Ultimate wireless communication system (available in specific countries; see your dealer for details)