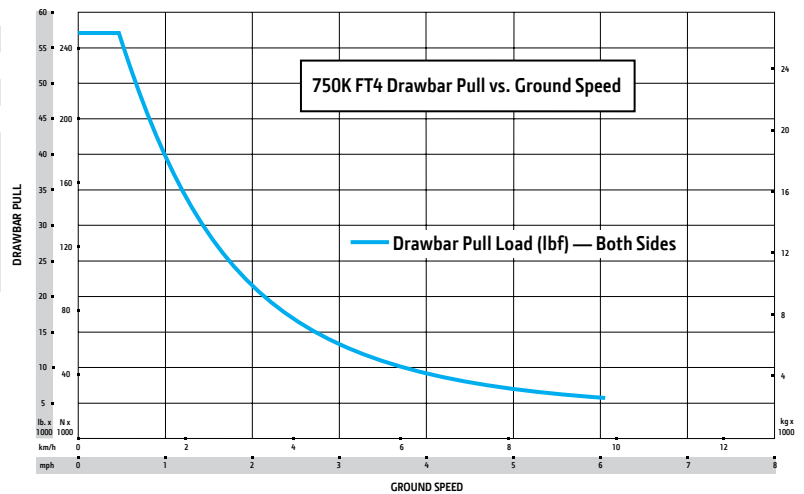




750K SPECIFICATIONS

Engine	750K LGP
Blade Type	Power/Angle/Tilt (PAT)
Manufacturer and Model	John Deere PowerTech™ PVS 6068
Non-Road Emission Standard	EPA Final Tier 4/EU Stage IV
Displacement	6.8 L (414 cu. in.)
SAE Net Rated Power	123 kW (165 hp) at 1,800 rpm
Net Peak Torque	768 Nm (567 lb.-ft.) at 1,400 rpm
Aspiration	Turbocharged with charge air cooler
Air Cleaner	Vacuum-aspirated dual-element dry canister
Cooling	
Type	Variable-speed suction fan with optional reversing feature
Engine Coolant Rating	-37 deg. C. (-34 deg. F)
Engine Radiator	10 fins per in.
Powertrain	
Transmission	Automatic, dual-path, hydrostatic drive; load-sensing feature automatically adjusts speed and power to match changing load conditions; each individually controlled track is powered by a variable-displacement piston pump and motor combination; ground-speed selection buttons on single-lever steering and direction control; independently selectable reverse speed ratios of 100%, 115%, or 130% of forward ground speed; decelerator pedal controls ground speed to stop
System Relief Pressure	45 850 kPa (6,650 psi)
Travel Speeds	
Forward and Reverse	9.7 km/h (6.0 mph)
Maximum (optional)	11.0 km/h (6.8 mph)
Steering	Single-lever steering, speed, direction control, and counter-rotation; full power turns and infinitely variable track speeds provide unlimited maneuverability and optimum control; hydrostatic steering eliminates steering clutches and brakes
Final Drives	Double-reduction, planetary final drives mounted independently of track frames and dozer push frames for isolation from shock loads
Total Ratio	46.41 to 1
Drawbar Pull	
Maximum	254 kN (57,000 lb.)
At 1.9 km/h (1.2 mph)	156 kN (35,000 lb.)
At 3.2 km/h (2.0 mph)	98 kN (22,000 lb.)
Brakes	
Service	Hydrostatic (dynamic) braking stops the machine whenever the direction-control lever is moved to neutral or the decelerator is depressed to the detent
Parking	Exclusive spring-applied, hydraulically released park brake safety feature engages wet, multiple-disc brakes automatically whenever the engine stops, the operator depresses the decelerator pedal to the brake position, the unit is in neutral for 3 seconds (with detected motion), or the park-lock lever is in the park position; machine cannot be driven with brake applied, minimizing wearout or need for adjustment



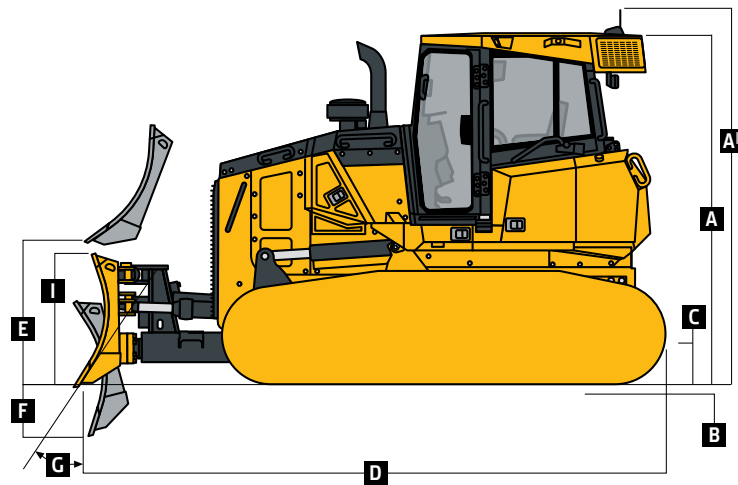
750K SPECIFICATIONS



Hydraulics	750K LGP
Blade Type	PAT
Type	Load sense hydraulic system with variable-displacement piston pump
Pump Displacement	63 cc
System Relief Pressure	24 993 kPa (3,625 psi)
Differential Pressure	1896 kPa (275 psi)
Maximum Flow at Unloaded High Idle	138 L/m (36 gpm)
Control	3-function hydraulic-pilot T-bar joystick with push-button angle function
Electrical	
Voltage	24 volts
Capacity	
Battery	950 CCA
Reserve	190 min.
Alternator Rating (cab)	130 amp
Lights	Grille mounted (2), rear mounted (2), engine compartment (1), and rear reflectors (2)
Undercarriage	
Tracks	John Deere Dura-Trax™ features large deep-heat-treated, sealed, and lubricated track links and through-hardened, sealed, and lubricated rollers for maximum wear resistance; sprockets are segmented; extreme-duty shoes are available (on some models) for severe applications
Track Gauge	2134 mm (84 in.)
Grouser Width	865 mm (34 in.)
Chain	Sealed and lubricated
Shoes, Each Side	45
Track Rollers, Each Side	8
Track Length on Ground	3073 mm (121 in.)
Ground Contact Area	53 077 cm ² (8,227 sq. in.)
Ground Pressure	31.5 kPa (4.57 psi)
Track Pitch	191 mm (7.5 in.)
Oscillation at Front Roller	± 127 mm (± 5.0 in.)
Operator Station	
ROPS (ISO 3471 – 2008) and FOPS (ISO 3449 – 2005)	
Serviceability	
Refill Capacities	
Fuel Tank with Lockable Cap	368 L (97.5 gal.)
Cooling System with Recovery Tank	40.75 L (10.8 gal.)
Engine Oil with Filter	24.6 L (6.5 gal.)
Reservoir with Filter	
Transmission	115 L (30 gal.)
Hydraulic	112 L (29.7 gal.)
Diesel Exhaust Fluid (DEF) Reservoir	13.6 L (3.6 gal.)
Operating Weights	
<i>Base Weight (with standard equipment, rollover protective structure [ROPS], full fuel tank, and 79-kg [175 lb.] operator)</i>	17 121 kg (37,745 lb.)
Optional Components	
Cab with Pressurizer and Heater/Air Conditioner	337 kg (743 lb.)
Cab with Air Conditioner	
Front and Door Screens	79 kg (175 lb.)
Rear Screen	34 kg (75 lb.)
Side Screens	54 kg (120 lb.)

750K

Operating Weights <i>(continued)</i>	750K LGP
Blade Type	PAT
Optional Components <i>(continued)</i>	
Condenser Guard (cab with air conditioner)	55 kg (121 lb.)
Limb Risers (cab)	261 kg (575 lb.)
Heavy-Duty Grille	28 kg (62 lb.)
Lift-Cylinder Hose Guards	42 kg (93 lb.)
Tank Guards	323 kg (712 lb.)
Rear Counterweight	326 kg (720 lb.)
Retrieval Hitch	37 kg (81 lb.)
Drawbar, Extended Rigid	130 kg (286 lb.)
Blade Brush Guard	87 kg (192 lb.)
Center Chain Guides	61 kg (135 lb.)
Full-Length Rock Guards	154 kg (340 lb.)
Track Shoes	
710-mm (28 in.) Moderate Duty	- 418 kg (- 922 lb.)
865-mm (34 in.) Moderate Duty	In base
Machine Dimensions	
A Overall Height to Roof	3128 mm (10 ft. 3 in.)
A¹ Overall Height with Receivers/Antennae	3517 mm (11 ft. 6 in.)
B Tread Depth with Single-Bar Grouser	
Moderate Duty	56 mm (2.2 in.)
Extreme Duty	69 mm (2.7 in.)
C Ground Clearance in Dirt	356 mm (14 in.)
D Overall Length	5246 mm (17 ft. 3 in.)
Overall Length with Extended Drawbar	5535 mm (18 ft. 2 in.)
E Blade Lift Height	1025 mm (40.3 in.)
F Blade Digging Depth	650 mm (25.6 in.)
G Blade Cutting-Edge Angle, Adjustable	55.2 to 60.1 deg.



750K LGP SMARTGRADE WITH POWER-ANGLE-TILT (PAT) BLADE